

HOUSFLOW

CATALOG



GVS



Filter Housings

Single Stack Gas Filter Housings

6

Multi Stack Gas Filter Housings

8

Single Stack Venting Filter Housings

10

Multi Stack Venting Filter Housings

12

Single Stack Liquid Filter Housings

14

DD-1R Liquid Filter Housings

16

DD-1W Liquid Filter Housings

18

CD-1W Liquid Filter Housings

20

CD-2R Liquid Filter Housings

22

CD-2R-T Liquid Filter Housings

24

DS-1R Liquid Filter Housings

26

Safety Filter Housings

28

Module Filter Housings

30



FILTER HOUSINGS

Features and Benefits

- All filter housings are made of high quality stainless steel. Manufactured, pressure tested and inspected according to < the technical conditions of steel welded vessels >
- All parts that are in contact with the products are made of SUS304 or US316L, the inner surface is polished, the outer surface is made of mechanical polishing, wire drawing, glass beaded and electrolysis. excellent durability and corrosion resistant.
- No dead ends, no leakage, removable and washable, convenient operation, ensure the quality standard to prevent bacterial contamination.

Typical Applications

- Electronic, chemical, power generation and others' liquid air /gas filtration.
- Food, fermentation, pharmaceutical partical and microorganism removal.





HOUSFLOW

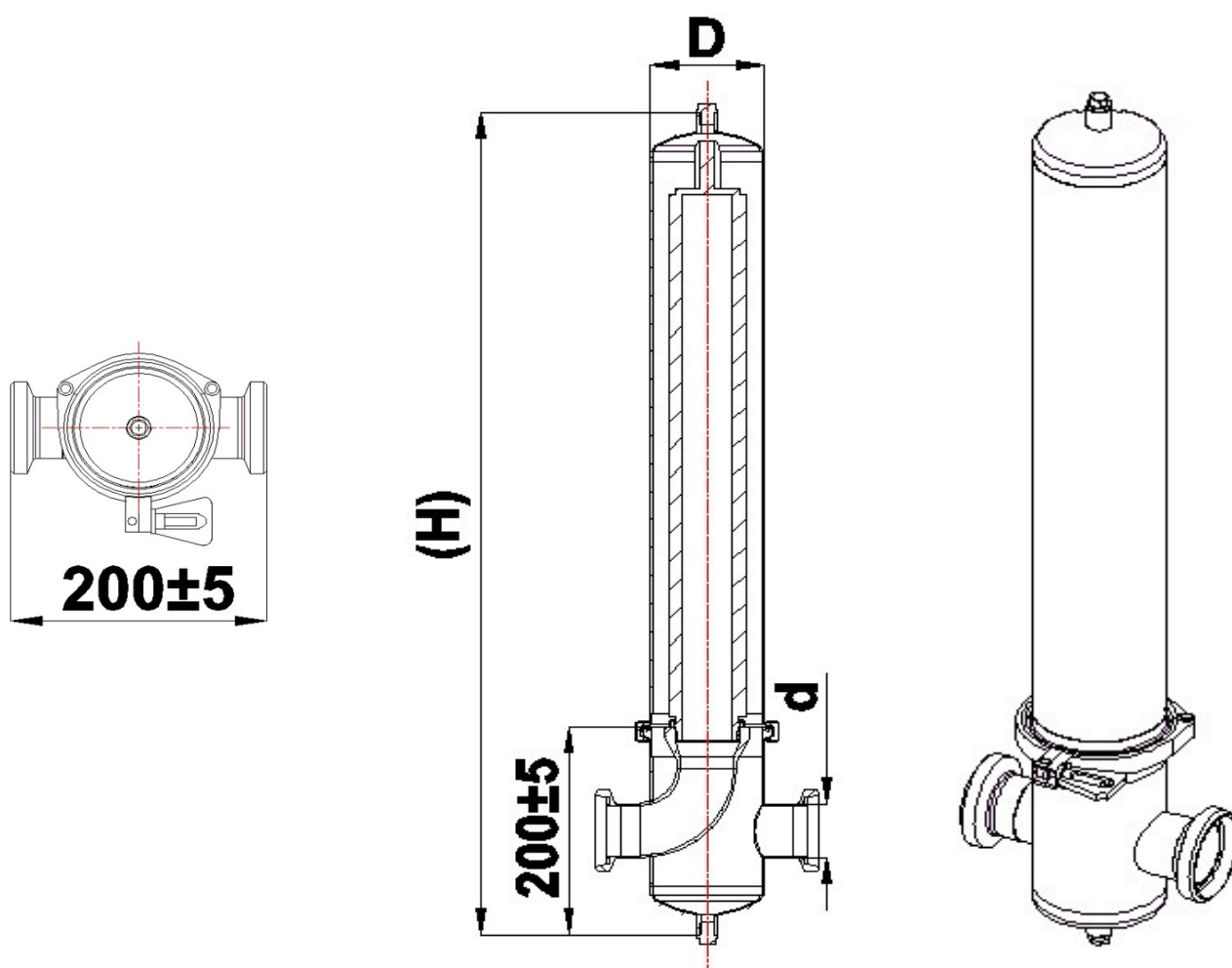
PRODUCTS

FILTER HOUSINGS

SINGLE STACK GAS FILTER HOUSINGS

Technical Data

| Discription | Information |
|--------------------|-----------------------|
| Design Pressure | 1.0 MPa |
| Design Temperature | 140 °C |
| Filtration Media | Air / Gas |
| Design Criteria | Food / Pharmaceutical |
| Cartridge Number | 1 |
| Adapter | 226 |



SINGLE STACK GAS FILTER HOUSINGS

Outline Dimension

| Stack | Inlet / Outlet | | Dimension Reference (mm) | | | | |
|-------|----------------|--------------------------|--------------------------|----------------|-----|-----|------|
| | d(Φ) | Form | d(Φ) | H | | | |
| | | | | Specifications | | | |
| | | | | 5" | 10" | 20" | 30" |
| 1 | 52 | Ferrule Union Flange | 102 | 420 | 550 | 800 | 1050 |

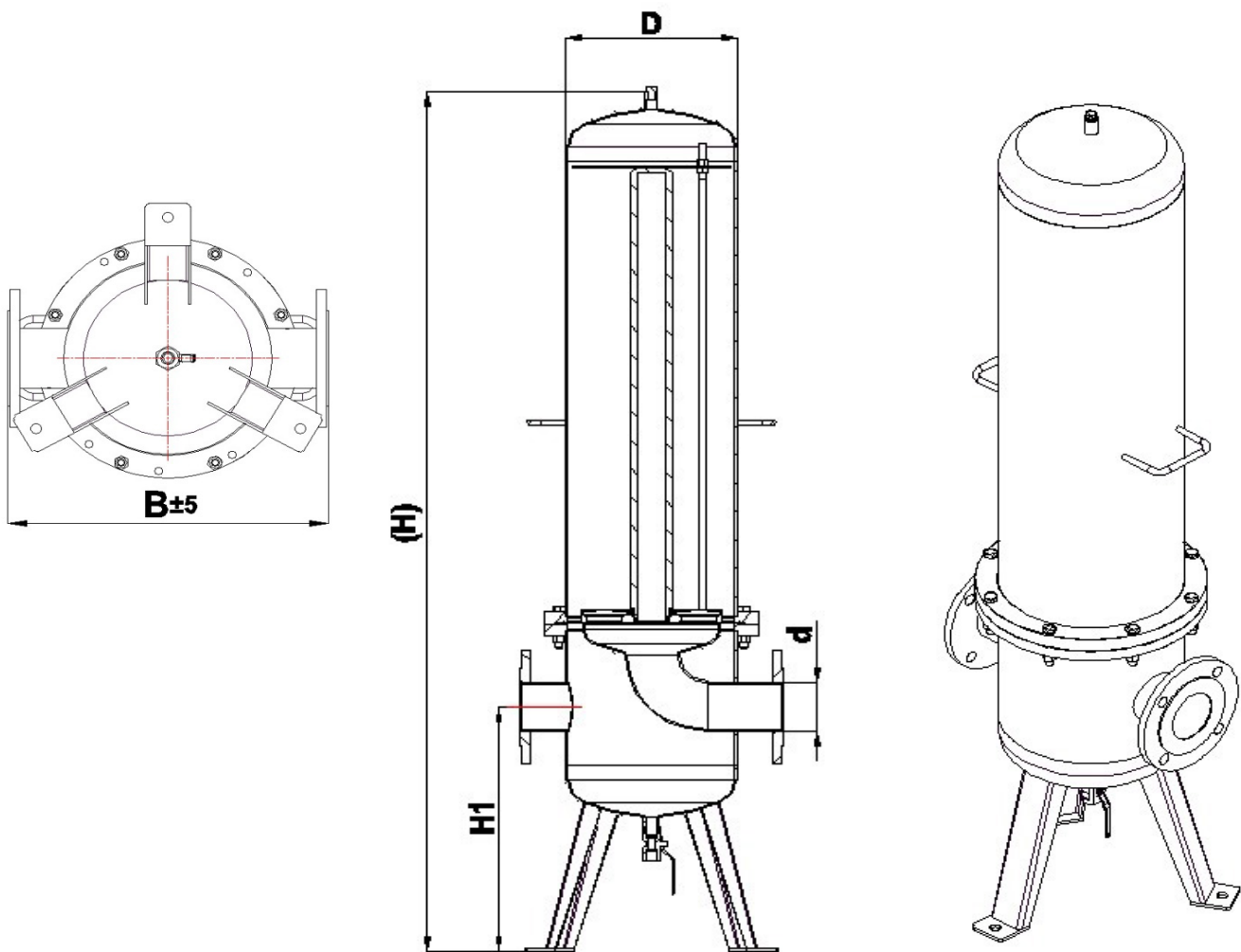
Order Example: CHR1S10RDN50KEJ

CHR---Cartridge Filter Housing G---Gas filter housings, 1—Single stack, S—304 stainless steel, 10—Length of cartridge 10”, R---Inlet and outlet is union connection, DN50---Outer diameter 52 mm, K---Cylinder connected by ferrule, E---Material of o-ring is EPDM, J---Mirror polishing

MULTI STACK GAS FILTER HOUSINGS

Technical Data

| Discription | Information |
|--------------------|-----------------------|
| Design Pressure | 1.0 MPa |
| Design Temperature | 140 °C |
| Filtration Media | Air / Gas |
| Design Criteria | Food / Pharmaceutical |
| Cartridge Number | 3-9 |
| Adapter | 226 |



MULTI STACK GAS FILTER HOUSINGS

Outline Dimension

| Stack | Inlet / Outlet | | Dimension Reference (mm) | | | | | | |
|-------|----------------|-------------|--------------------------|-----|-----|----------------|------|------|------|
| | d(Φ) | Form | d(Φ) | B | H1 | H | | | |
| | | | | | | Specifications | | | |
| | | | | | | 10" | 20" | 30" | 40" |
| 3 | 85 | UnionFlange | 220 | 360 | 250 | 728 | 978 | 1228 | 1478 |
| 5 | 85 | UnionFlange | 250 | 390 | 250 | 750 | 1000 | 1250 | 1500 |
| 7 | 85 | UnionFlange | 275 | 415 | 250 | 763 | 1013 | 1263 | 1513 |

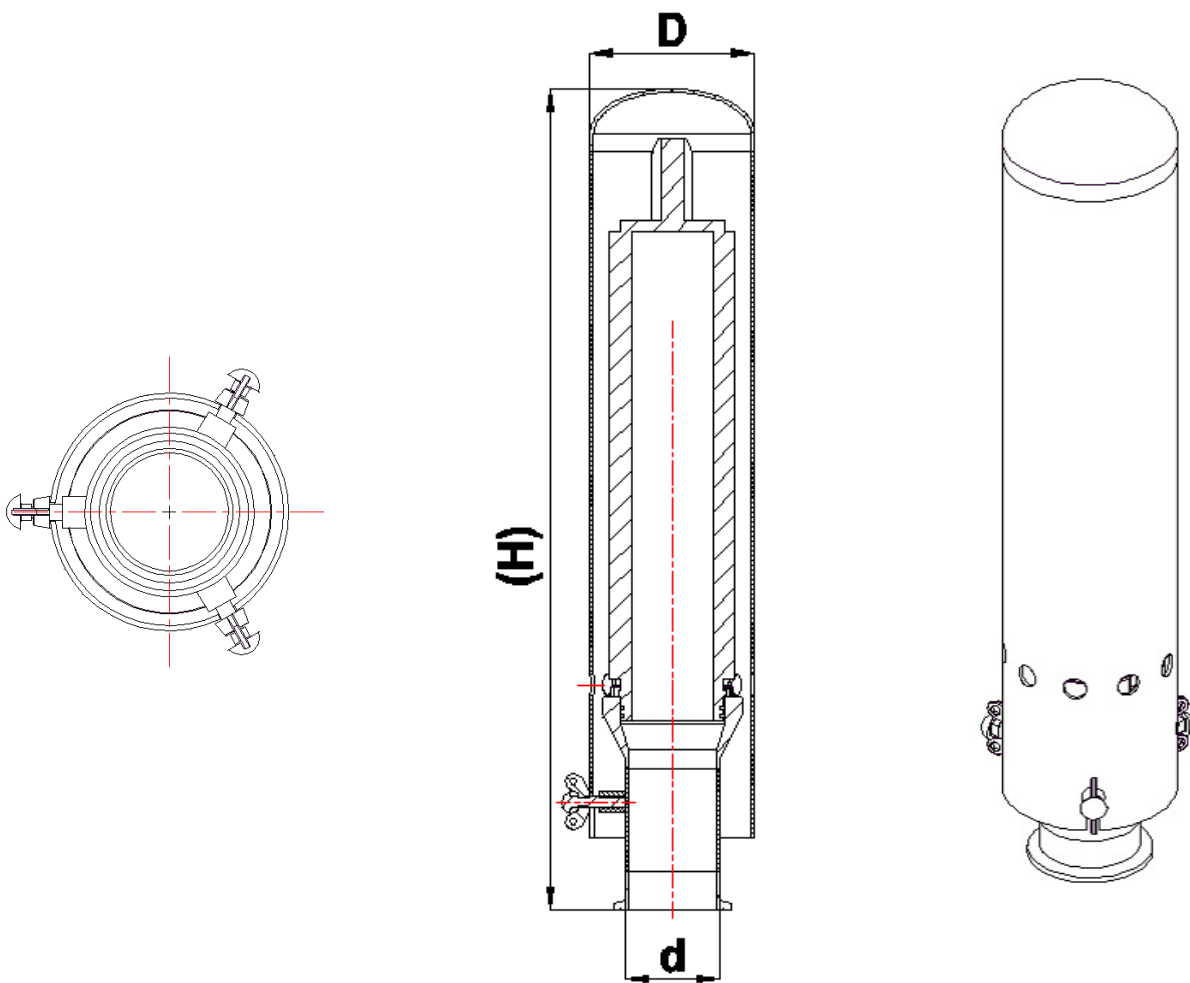
Order Example:CHRG5S10FDN100NEJ

CHR---Cartridge Filter Housing G---Gas filter housings, 5—5 stacks, S—304 stainless steel, 10—Length of cartridge 10”, F---Inlet and outlet is flange connection, DN100---Outer diameter 104 mm, N---Cylinder connected by normal bolts, E---Material of o-ring is EPDM, J---Mirror polishing

SINGLE STACK VENTING FILTER HOUSINGS

Technical Data

| Discription | Information |
|--------------------|-----------------------|
| Design Pressure | ---- |
| Design Temperature | 100 °C |
| Filtration Media | Air / Gas |
| Design Criteria | Food / Pharmaceutical |
| Cartridge Number | 1 |
| Adapter | 226 |



SINGLE STACK VENTING FILTER HOUSINGS

Outline Dimension

| Stack | Inlet / Outlet | | Dimension Reference (mm) | | | | |
|-------|----------------|--------------|--------------------------|----------------|-----|-----|-----|
| | d(Φ) | Form | d(Φ) | H | | | |
| | | | | Specifications | | | |
| | | | | 5" | 10" | 20" | 30" |
| 1 | 52 | UnionIFlange | 90 | 330 | 456 | 706 | 900 |

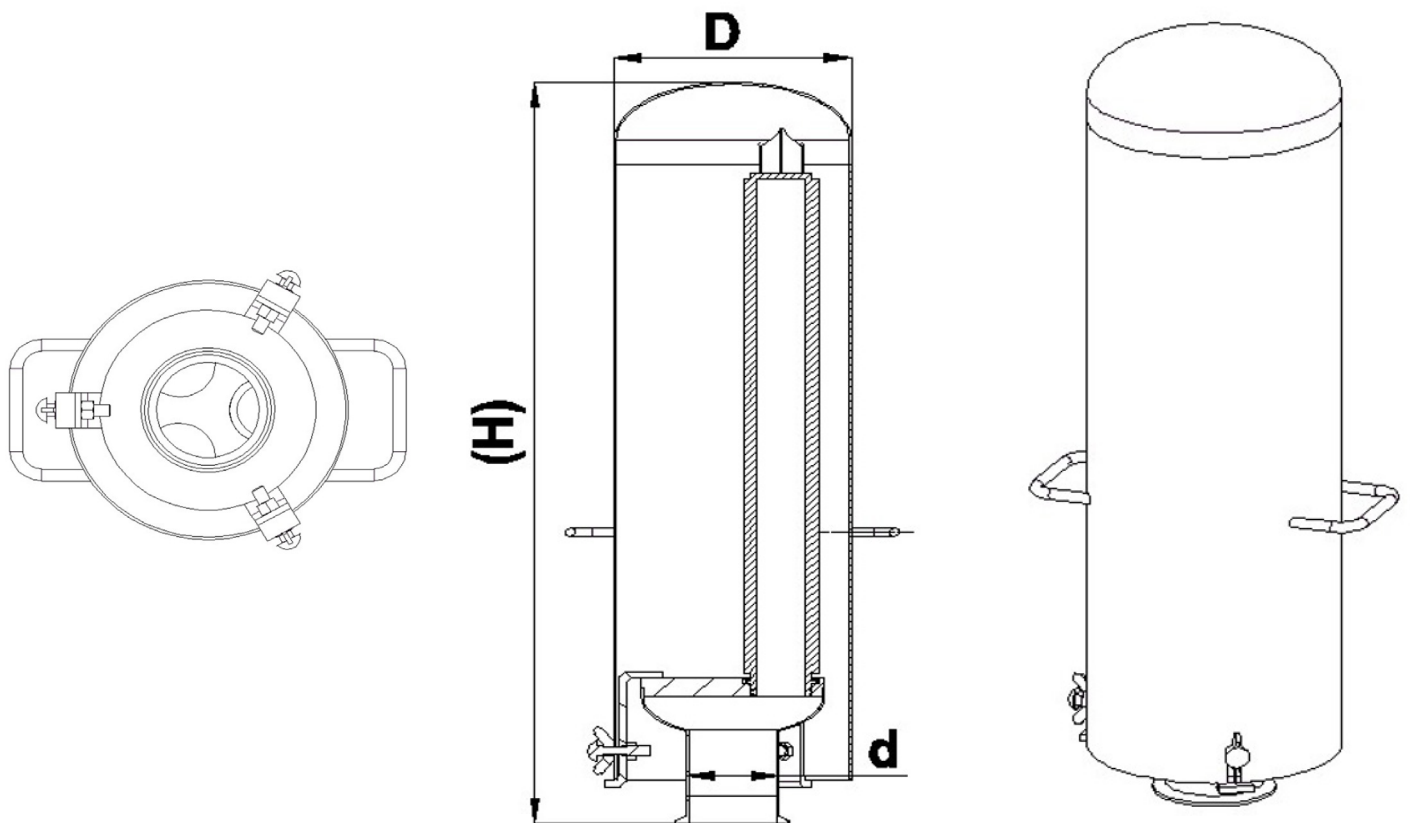
Order Example: **CHRVG1S20RDN50**

CHR---Cartridge Filter Housing VG---Venting filter housings, 1—1 stack,
 S—304 stainless steel,
 20—Length of cartridge 20", R---Inlet and outlet is union connection,
 DN50---Outer diameter 52 mm

MULTI STACK VENTING FILTER HOUSINGS

Technical Data

| Discription | Information |
|--------------------|-----------------------|
| Design Pressure | ---- |
| Design Temperature | 100 °C |
| Filtration Media | Air / Gas |
| Design Criteria | Food / Pharmaceutical |
| Cartridge Number | 3-7 |
| Adapter | 226 |



MULTI STACK VENTING FILTER HOUSINGS

Outline Dimension

| Stack | Inlet / Outlet | | Dimension Reference (mm) | | | | |
|-------|----------------|-------------|--------------------------|----------------|-----|-----|-----|
| | d(Φ) | Form | d(Φ) | H | | | |
| | | | | Specifications | | | |
| | | | | 5" | 10" | 20" | 30" |
| 3 | 85 | UnionFlange | 220 | / | / | 746 | 996 |
| 5 | 85 | UnionFlange | 275 | / | / | 746 | 996 |

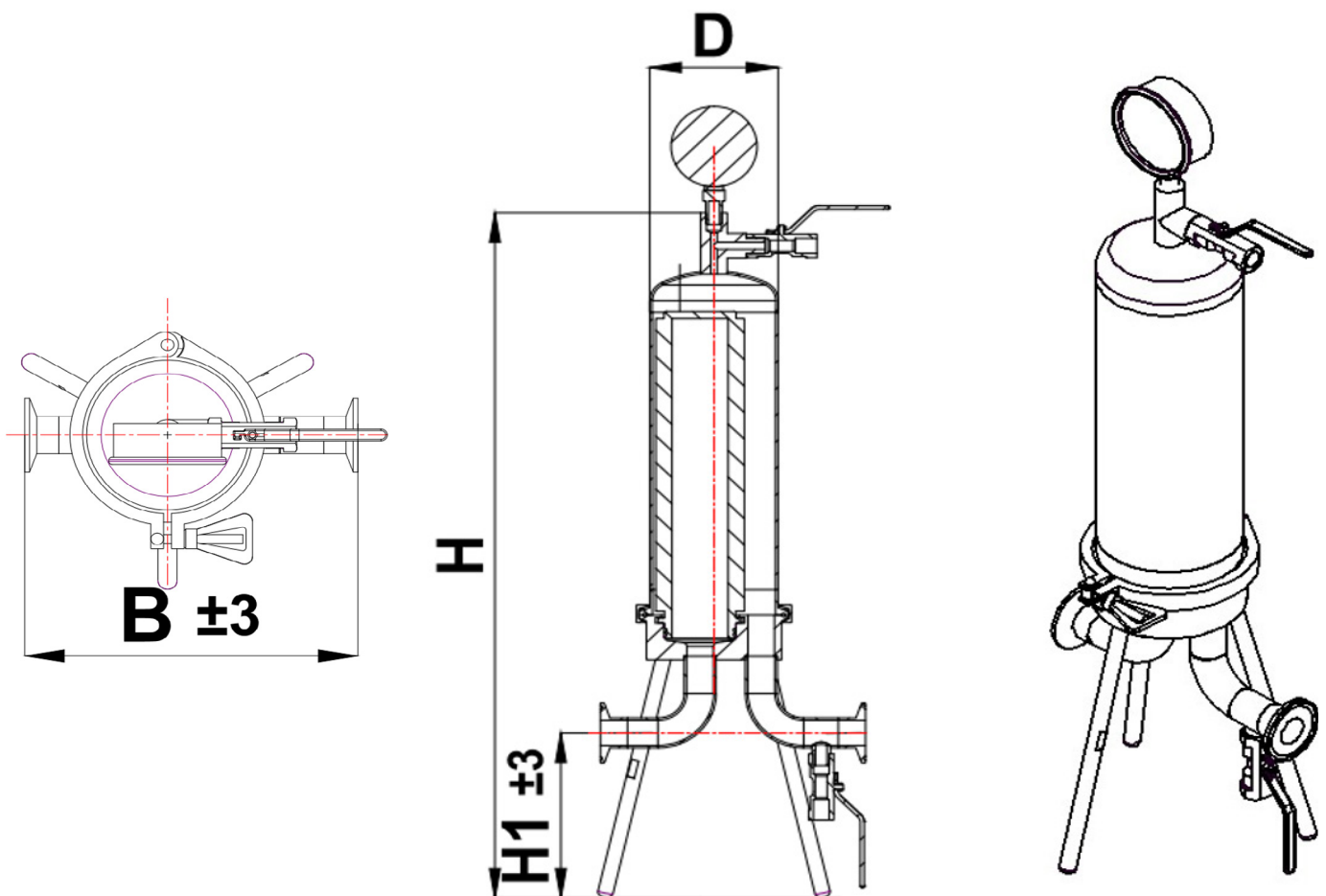
Order Example: CHRVG5S20RDN100

CHR---Cartridge Filter Housing VG---Venting filter housings, 5—5 stacks,
 S—304 stainless steel,
 20—Length of cartridge 20", R---Inlet and outlet is union connection,
 DN100---Outer diameter 104 mm

SINGLE STACK LIQUID FILTER HOUSINGS

Technical Data

| Discription | Information |
|--------------------|-------------|
| Design Pressure | 1.0 MPa |
| Design Temperature | 140 °C |
| Filtration Media | Liquid |
| Design Criteria | Food |
| Cartridge Number | 1 |
| Adapter | 226 |



SINGLE STACK LIQUID FILTER HOUSINGS

Outline Dimension

| Stack | Inlet / Outlet | | Dimension Reference (mm) | | | | | | |
|-------|----------------|---------------|--------------------------|-----|-----|----------------|-----|------|------|
| | d(Φ) | Form | d(Φ) | B | H1 | H | | | |
| | | | | | | Specifications | | | |
| | | | | | | 10" | 20" | 30" | 40" |
| 1 | 25.4 | Ferrule/Union | 102 | 210 | 140 | 617 | 867 | 1117 | 1367 |

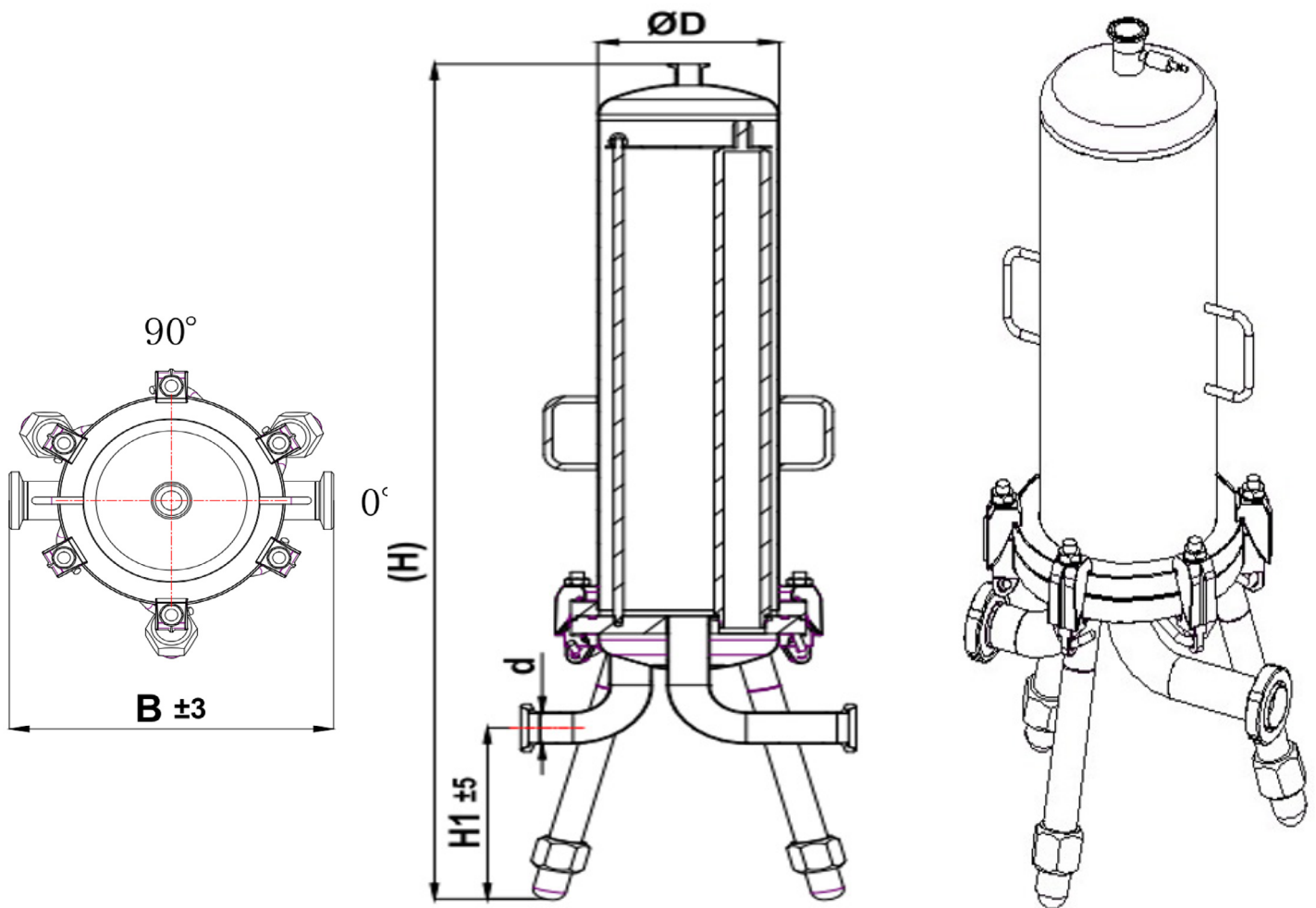
Order Example: CHRL1S20KISO25MJ

CHR---Cartridge Filter Housing L---Liquid filter housings, 1 — 1 stack,
 S— 304 stainless steel,
 20— Length of cartridge 20", K---Inlet and outlet is ferrule connection,
 ISO25---Outer diameter 25.4 mm, M---Material of o-ring is Silicone,
 J---Mirror polishing

DD-1R LIQUID FILTER HOUSINGS

Technical Data

| Discription | Information |
|--------------------|---------------------|
| Design Pressure | 1.0 MPa |
| Design Temperature | 140 °C |
| Filtration Media | Liquid |
| Design Criteria | Food/Pharmaceutical |
| Cartridge Number | 3-5 |
| Adapter | 226/222 |



DD-1R LIQUID FILTER HOUSINGS

Outline Dimension

| Stack | Inlet / Outlet | | Dimension Reference (mm) | | | | | |
|-------|----------------|----------------------|--------------------------|-----|-----|----------------|------|------|
| | d(Φ) | Form | d(Φ) | B | H1 | H | | |
| | | | | | | Specifications | | |
| | | | | | | 20" | 30" | 40" |
| 3 | 52 | Ferrule Union Flange | 220 | 340 | 250 | 1043 | 1293 | 1543 |
| 5 | | Ferrule Union Flange | | | | | | |

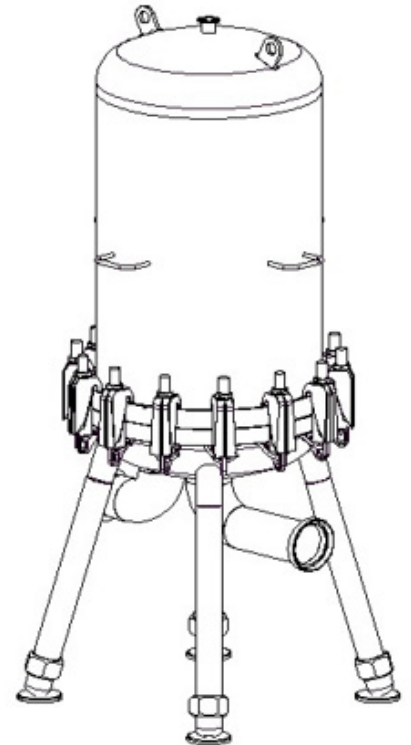
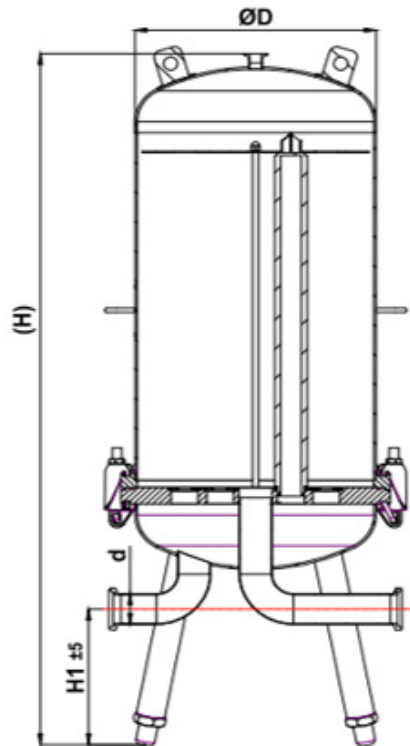
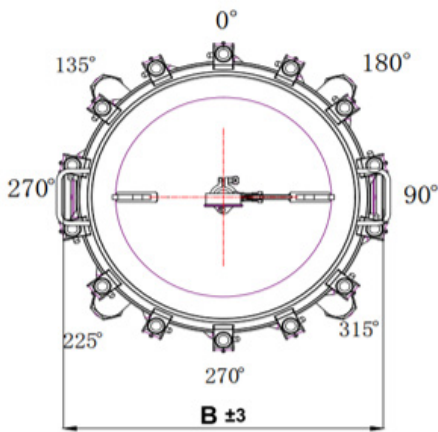
Order Example: CHRL3L30RDN50DDB1RMJ

CHR---Cartridge Filter Housing L---Liquid filter housings, 3—3 stacks, L—316L stainless steel, 30—Length of cartridge 30”, R---Inlet and outlet is union connection, DN50---Outer diameter 52 mm, DD---Bottom in and bottom out, B---Cylinder connected by claw, 1R---One flange, cartridge plate removable, M---Material of o-ring is Silicone, J---Mirror polishing

DD-1W LIQUID FILTER HOUSINGS

Technical Data

| Discription | Information |
|--------------------|-------------|
| Design Pressure | 1.0 MPa |
| Design Temperature | 140 °C |
| Filtration Media | Liquid |
| Design Criteria | Normal |
| Cartridge Number | 3-5 |
| Adapter | 226/222 |



DD-1W LIQUID FILTER HOUSINGS

Outline Dimension

| Stack | Inlet / Outlet | | Dimension Reference (mm) | | | | | |
|-------|----------------|--------------------|--------------------------|-----|-----|----------------|------|------|
| | d(Φ) | Form | d(Φ) | B | H1 | H | | |
| | | | | | | Specifications | | |
| | | | | | | 20" | 30" | 40" |
| 3 | 34 | FerruleUnionFlange | 200 | 320 | 250 | 1023 | 1273 | 1523 |
| 5 | 52 | FerruleUnionFlange | 220 | 340 | 250 | 1084 | 1334 | 1584 |
| 6 | 52 | FerruleUnionFlange | 250 | 370 | 250 | 1104 | 1354 | 1604 |
| 7 | 70 | FerruleUnionFlange | 275 | 395 | 290 | 1154 | 1404 | 1654 |
| 8 | 70 | FerruleUnionFlange | 300 | 420 | 290 | 1168 | 1418 | 1668 |
| 9 | 70 | FerruleUnionFlange | 325 | 445 | 290 | 1168 | 1418 | 1668 |
| 12 | 70 | FerruleUnionFlange | 350 | 470 | 290 | 1199 | 1449 | 1699 |
| 18 | 70 | UnionFlange | 400 | 520 | 290 | 1223 | 1473 | 1723 |
| 23 | 70 | UnionFlange | 450 | 590 | 300 | 1269 | 1519 | 1769 |
| 26 | 85 | UnionFlange | 500 | 640 | 300 | 1310 | 1560 | 1810 |
| 30 | 104 | UnionFlange | 550 | 690 | 300 | 1344 | 1594 | 1844 |
| 36 | 104 | UnionFlange | 600 | 740 | 300 | 1370 | 1620 | 1870 |

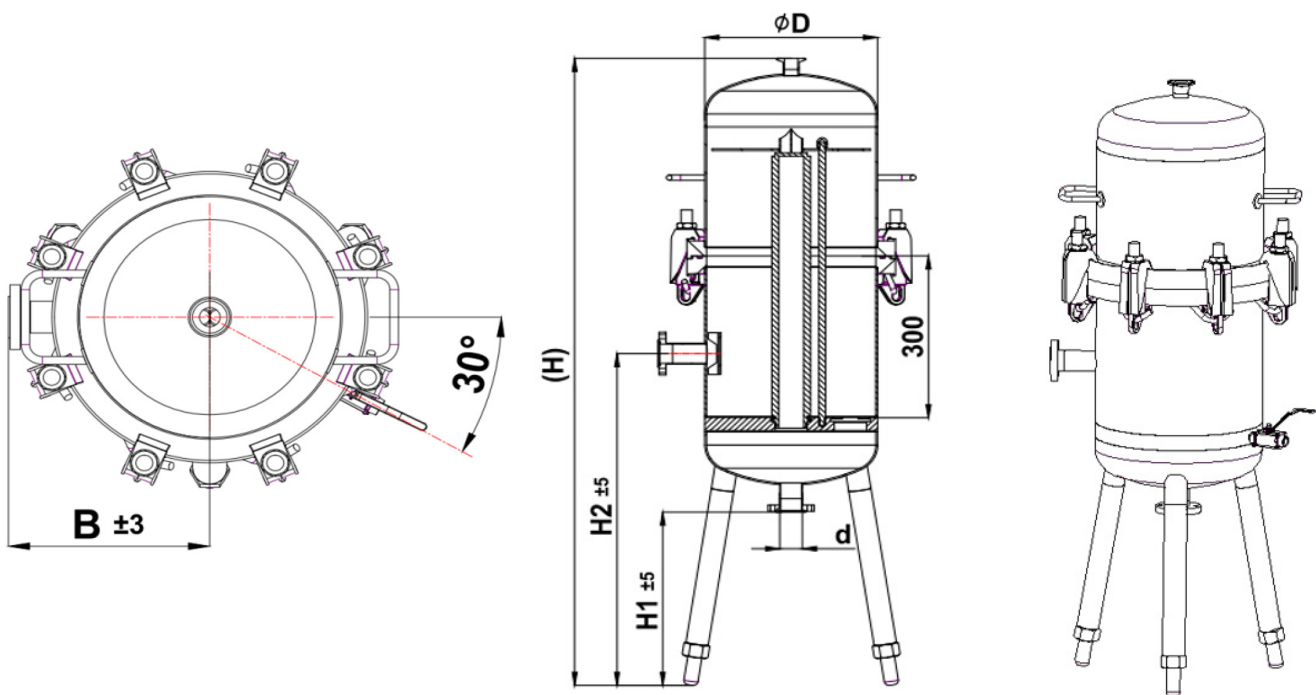
Order Example: CHRL18S30RDN80DDB1WMJ

CHR---Cartridge Filter Housing L---Liquid filter housings, 18—18 stacks, S—304 stainless steel, 30—Length of cartridge 30”, R---Inlet and outlet is union connection, DN80---Outer diameter 84 mm, DD---Bottom in and bottom out, B---Cylinder connected by claw, 1W---One flange, cartridge plate non removable, M---Material of o-ring is Silicone, J---Mirror polishing

CD-1W LIQUID FILTER HOUSINGS

Technical Data

| Discription | Information |
|--------------------|-------------|
| Design Pressure | 1.0 MPa |
| Design Temperature | 140 °C |
| Filtration Media | Liquid |
| Design Criteria | Normal |
| Cartridge Number | 3-12 |
| Adapter | 226/222 |



CD-1W LIQUID FILTER HOUSINGS

Outline Dimension

| Stack | Inlet / Outlet | | Dimension Reference (mm) | | | | | | |
|-------|----------------|----------------------|--------------------------|-----|-----|-----|----------------|------|------|
| | d(Φ) | Form | d(Φ) | B | H1 | H2 | H | | |
| | | | | | | | Specifications | | |
| 20" | 30" | 40" | | | | | | | |
| 3 | 34 | Ferrule Union Flange | 200 | 200 | 300 | 565 | 1065 | 1315 | 1565 |
| 4 | 52 | Ferrule Union Flange | 220 | 210 | 320 | 608 | 1130 | 1380 | 1630 |
| 5 | 52 | Ferrule Union Flange | 250 | 225 | 320 | 618 | 1150 | 1400 | 1650 |
| 7 | 70 | Ferrule Union Flange | 275 | 235 | 330 | 628 | 1160 | 1410 | 1660 |
| 8 | 70 | Ferrule Union Flange | 300 | 250 | 330 | 635 | 1175 | 1425 | 1675 |
| 11 | 70 | Ferrule Union Flange | 325 | 260 | 330 | 635 | 1175 | 1425 | 1675 |
| 12 | 70 | Ferrule Union Flange | 350 | 275 | 330 | 648 | 1200 | 1450 | 1700 |

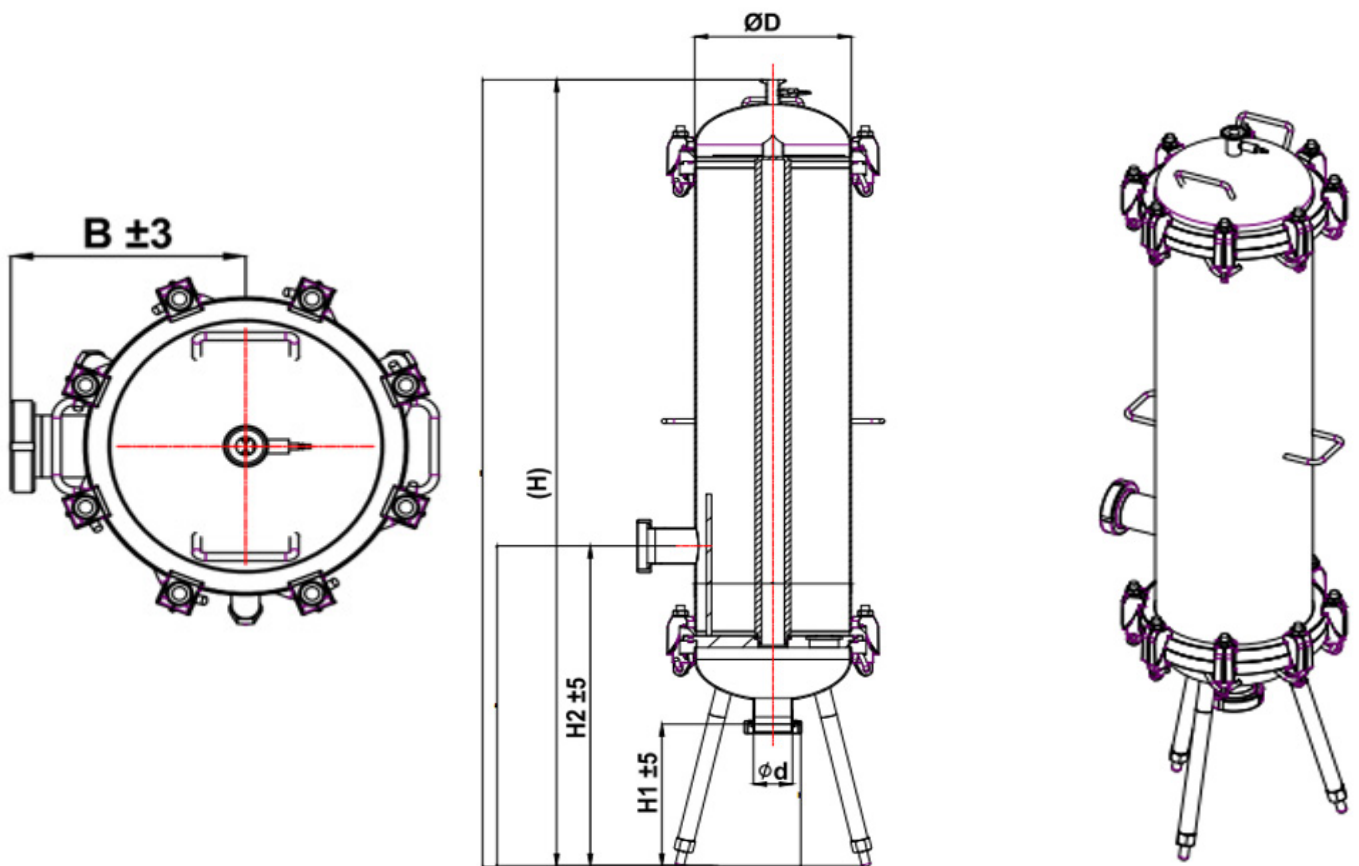
Order Example: CHRL12S30RDN65CDB1WMJ

CHR---Cartridge Filter Housing L---Liquid filter housings: 12—12 stacks: S—304 stainless steel: 30—Length of cartridge 30": R---Inlet and outlet is union connection: DN65---Outer diameter 70 mm: CD---Side in and bottom out: B---Cylinder connected by claw: 1W---One flange: cartridge plate non removable, M---Material of o-ring is Silicone: J---Mirror polishing

CD-2R LIQUID FILTER HOUSINGS

Technical Data

| Discription | Information |
|--------------------|-----------------------|
| Design Pressure | 1.0 MPa |
| Design Temperature | 140 °C |
| Filtration Media | Liquid |
| Design Criteria | Food / Pharmaceutical |
| Cartridge Number | 3-12 |
| Adapter | 226/222 |



CD-2R LIQUID FILTER HOUSINGS

Outline Dimension

| Stack | Inlet / Outlet | | Dimension Reference (mm) | | | | | | |
|-------|----------------|----------------------|--------------------------|-----|-----|-----|----------------|------|------|
| | d(Φ) | Form | d(Φ) | B | H1 | H2 | H | | |
| | | | | | | | Specifications | | |
| 20" | 30" | 40" | | | | | | | |
| 3 | 34 | FerruleUnionFlange | 200 | 300 | 300 | 610 | 1035 | 1285 | 1535 |
| 4 | 52 | FerruleUnionFlange | 220 | 320 | | 648 | 1096 | 1346 | 1596 |
| 5 | 52 | FerruleUnionFlange | 250 | 350 | 320 | 658 | 1116 | 1366 | 1616 |
| 7 | 70 | FerruleUnionFlange | 275 | 375 | 320 | 708 | 1166 | 1416 | 1666 |
| 8 | 70 | FerruleUnionFlange | 300 | 400 | 330 | 715 | 1180 | 1430 | 1680 |
| 11 | 70 | FerruleUnionFlange | 325 | 425 | 330 | 715 | 1180 | 1430 | 1680 |
| 12 | 70 | FerruleUnionFlange | 350 | 450 | 330 | 732 | 1214 | 1464 | 1714 |
| 17 | 70 | Ferrule Union Flange | 400 | 500 | 330 | 744 | 1238 | 1488 | 1738 |

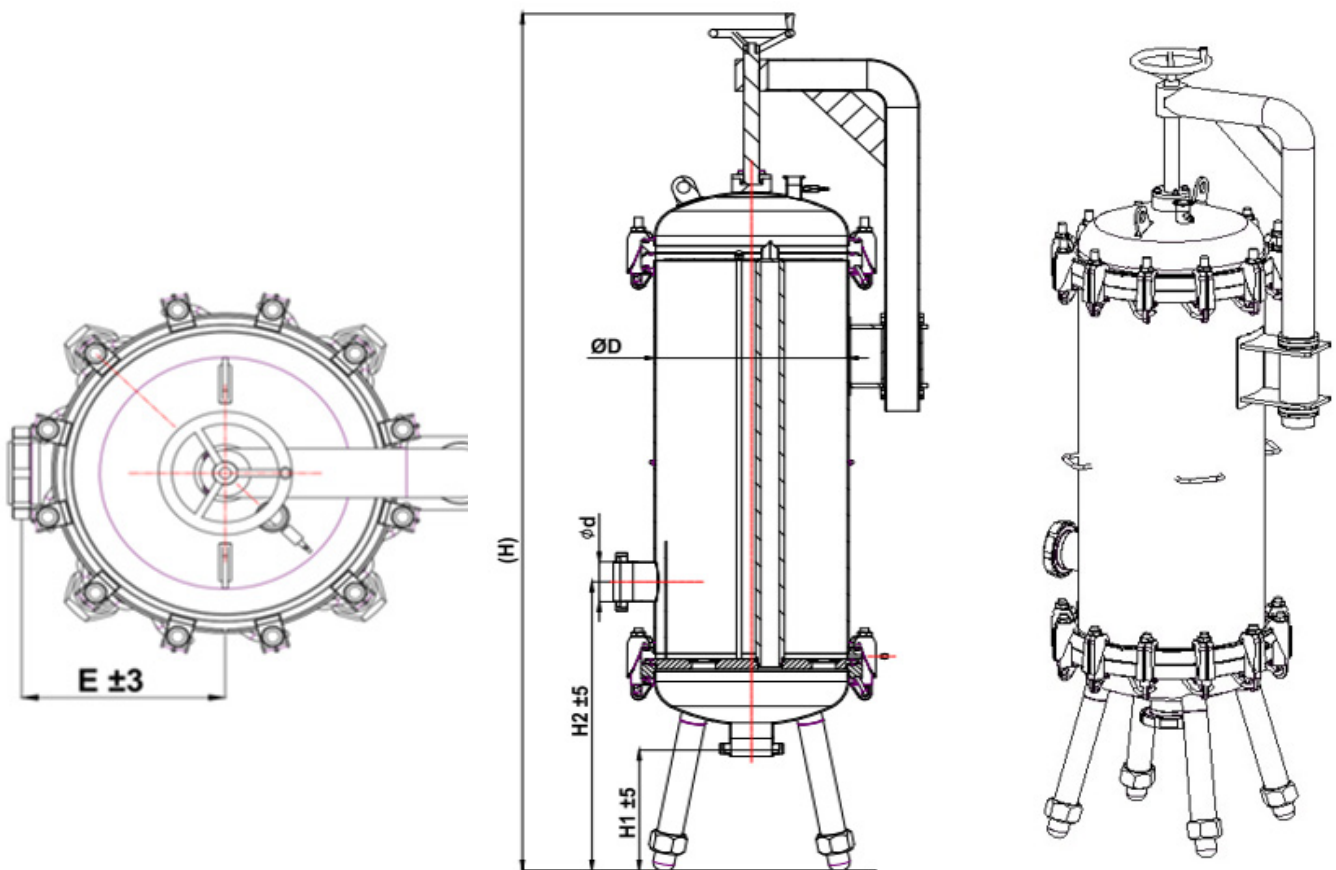
Order Example: CHRL12S30RDN65CDB2RMJ

CHR---Cartridge Filter Housing L---Liquid filter housings, 12—12 stacks, S—304 stainless steel, 30—Length of cartridge 30”, R---Inlet and outlet is union connection, DN65---Outer diameter 70 mm, CD---Side in and bottom out, B---Cylinder connected by claw, 2R---Two flanges, cartridge plate removable, M---Material of o-ring is Silicone, J---Mirror polishing

CD-2R LIQUID FILTER HOUSINGS

Technical Data

| Discription | Information |
|--------------------|-----------------------|
| Design Pressure | 1.0 MPa |
| Design Temperature | 140 °C |
| Filtration Media | Liquid |
| Design Criteria | Food / Pharmaceutical |
| Cartridge Number | 22-55 |
| Adapter | 226/222 |



CD-2R LIQUID FILTER HOUSINGS

Outline Dimension

| Stack | Inlet / Outlet | | Dimension Reference (mm) | | | | | | |
|-------|----------------|--------------------|--------------------------|-----|-----|-----|----------------|------|------|
| | d(Φ) | Form | d(Φ) | B | H1 | H2 | H | | |
| | | | | | | | Specifications | | |
| 20" | 30" | 40" | | | | | | | |
| 22 | 70 | FerruleUnionFlange | 450 | 570 | 380 | 796 | 1700 | 1950 | 2200 |
| 27 | 85 | UnionFlange | 500 | 620 | 390 | 825 | 1750 | 2000 | 2250 |
| 35 | 104 | UnionFlange | 550 | 670 | 400 | 847 | 1784 | 2034 | 2284 |
| 39 | 104 | UnionFlange | 600 | 720 | 400 | 860 | 1850 | 2100 | 2350 |
| 46 | 104 | UnionFlange | 650 | 770 | 400 | 872 | 1874 | 2124 | 2374 |
| 55 | 129 | Flange | 700 | 820 | 425 | 910 | 1925 | 2175 | 2425 |

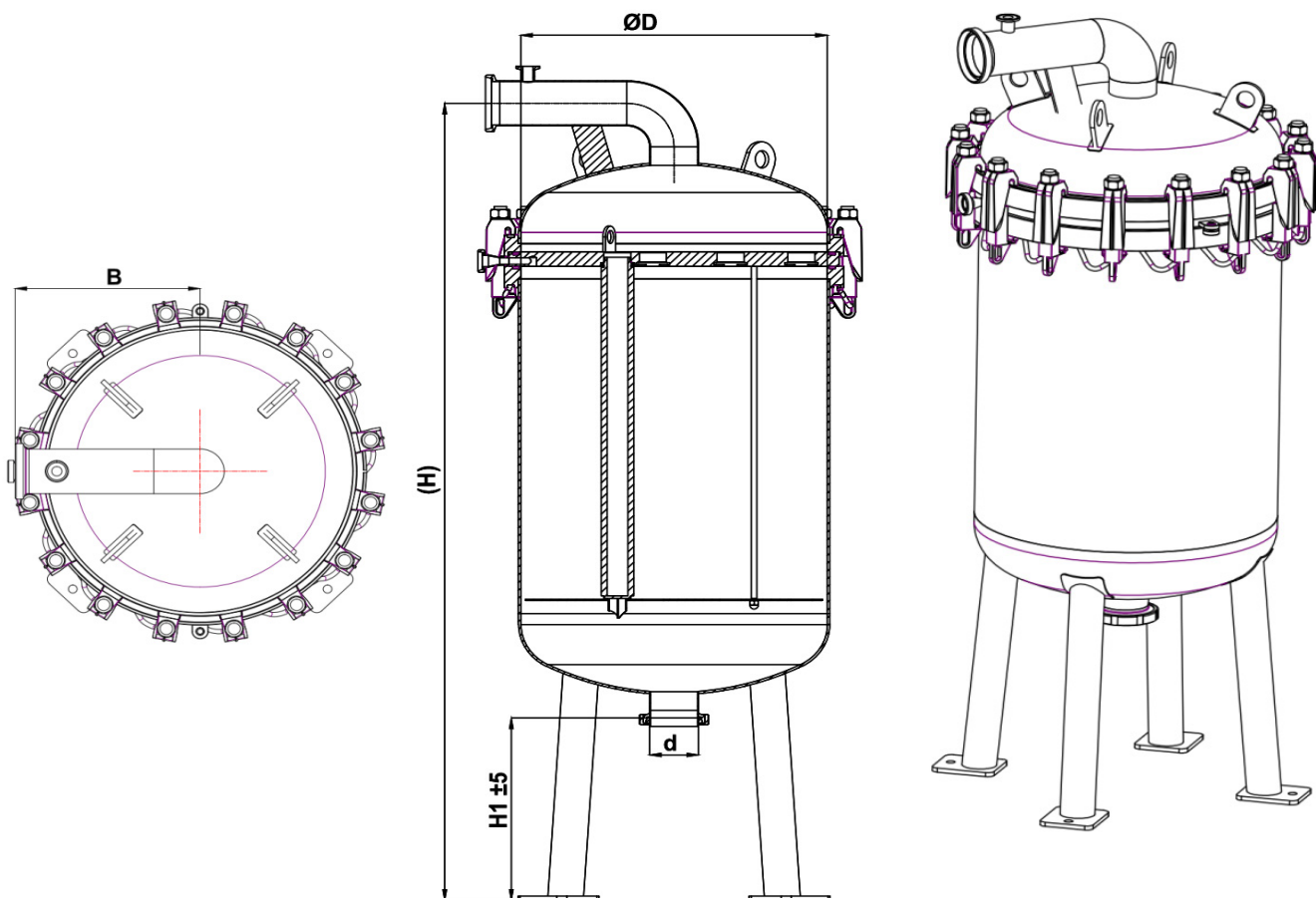
Order Example: CHRL35S30RDN65CDB2RMJT

CHR---Cartridge Filter Housing L---Liquid filter housings, 35—35 stacks, S—304 stainless steel, 30—Length of cartridge 30”, R---Inlet and outlet is union connection, DN65---Outer diameter 70 mm, CD---Side in and bottom out, B---Cylinder connected by claw, 2R---Two flanges, cartridge plate removable, M---Material of o-ring is Silicone, J---Mirror polishing, T---Housing cover lift device

DS-1R LIQUID FILTER HOUSINGS

Technical Data

| Discription | Information |
|--------------------|-------------|
| Design Pressure | 1.0 MPa |
| Design Temperature | 140 °C |
| Filtration Media | Liquid |
| Design Criteria | Food |
| Cartridge Number | 18-52 |
| Adapter | 226 |



CD-2R LIQUID FILTER HOUSINGS

Outline Dimension

| Stack | Inlet / Outlet | | Dimension Reference (mm) | | | | | |
|-------|----------------|--------------------|--------------------------|-----|-----|----------------|------|------|
| | d(Φ) | Form | d(Φ) | B | H1 | H | | |
| | | | | | | Specifications | | |
| | | | | | | 20" | 30" | 40" |
| 18 | 70 | FerruleUnionFlange | 400 | 275 | 380 | 1390 | 1640 | 1890 |
| 23 | 70 | FerruleUnionFlange | 450 | 300 | 380 | 1413 | 1663 | 1913 |
| 26 | 85 | UnionFlange | 500 | 325 | 390 | 1466 | 1716 | 1966 |
| 30 | 104 | UnionFlange | 550 | 350 | 400 | 1510 | 1760 | 2010 |
| 36 | 104 | UnionFlange | 600 | 375 | 400 | 1535 | 1785 | 2035 |
| 46 | 104 | UnionFlange | 650 | 400 | 400 | 1560 | 1810 | 2060 |
| 52 | 129 | Flange | 700 | 425 | 425 | 1635 | 1885 | 2135 |

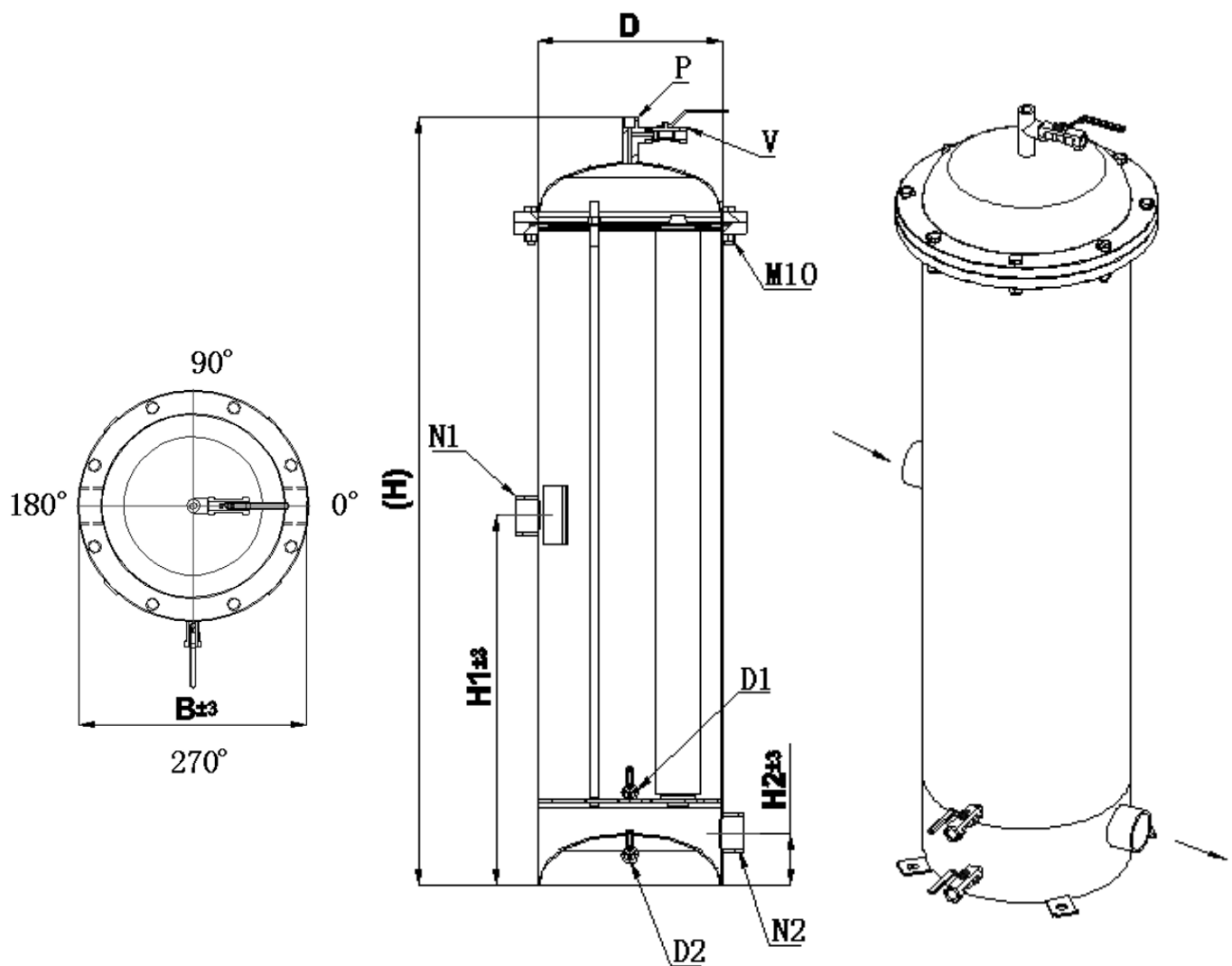
Order Example: CHRL31S30RDN100DSB1RMJ

CHR---Cartridge Filter Housing L---Liquid filter housings, 31—31 stacks,
 S—304 stainless steel,
 30—Length of cartridge 30", R---Inlet and outlet is union connection,
 DN100---Outer diameter 104 mm, DS---Bottom in and top out,
 B---Cylinder connected by claw, 1R---One flange, cartridge plate
 removable, M---Material of o-ring is Silicone, J---Mirror polishing

SAFETY FILTER HOUSINGS

Technical Data

| Discription | Information |
|--------------------|-------------|
| Design Pressure | 1.0 MPa |
| Design Temperature | 140 °C |
| Filtration Media | Liquid |
| Design Criteria | Industry |
| Cartridge Number | 3-48 |
| Adapter | DOE |



SAFETY FILTER HOUSINGS

Outline Dimension

| Stack | Inlet / Outlet | | Dimension Reference (mm) | | | | | |
|-------|----------------|-----------------|--------------------------|-----|----|----------------|---------|----------|
| | d(Φ) | Form | d(Φ) | B | H2 | H1/H | | |
| | | | | | | Specifications | | |
| 20" | 30" | 40" | | | | | | |
| 3 | G1 | Internal thread | 180 | 280 | 90 | 350/610 | 400/920 | --- |
| 5 | G1-1/4 | Internal thread | 200 | 320 | 90 | 350/610 | 400/920 | 500/1180 |
| 7 | G1-1/2 | Internal thread | 250 | 370 | 90 | 350/610 | 400/920 | 500/1180 |
| 9 | G1-1/2 | Internal thread | 280 | 400 | 90 | 350/610 | 400/920 | 500/1200 |
| 12 | G2 | Internal thread | 300 | 430 | 90 | 350/610 | 400/920 | 500/1200 |
| 15 | G2 | Internal thread | 350 | 480 | 90 | 350/610 | 400/920 | 500/1200 |
| 19 | G2-1/2 | Internal thread | 375 | 500 | 90 | --- | 400/920 | 500/1200 |
| 21 | G2-1/2 | Internal thread | 400 | 530 | 90 | --- | 400/920 | 500/1200 |
| 25 | G3 | Internal thread | 450 | 550 | 90 | --- | 400/920 | 500/1200 |
| 30 | G3 | Internal thread | 475 | 580 | 00 | --- | 400/920 | 500/1200 |

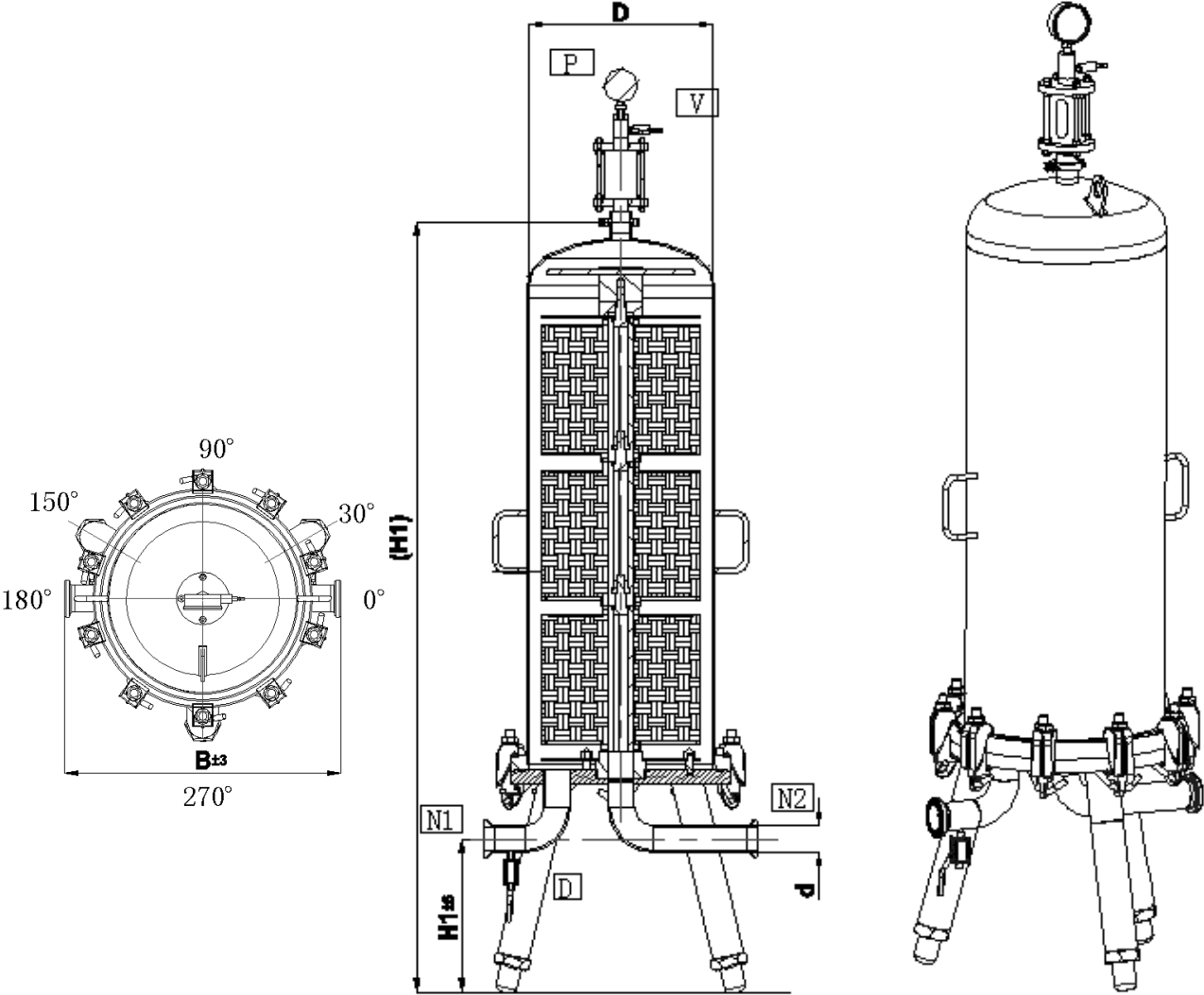
Order Example: CHRL9S40G1-1/2

CHR---Cartridge Filter Housing L--- Liquid filter housings, 9—9 stacks, S—304 stainless steel, 40--- Length of cartridge 40", G1-1/2--- Inlet and outlet is internal thread 1.5"

MODULE FILTER HOUSINGS

Technical Data

| Discription | Information |
|--------------------|---------------------|
| Design Pressure | 1.0 MPa |
| Design Temperature | 140 °C |
| Filtration Media | Liquid |
| Design Criteria | Food/Pharmaceutical |
| Cartridge Number | 1-4 |
| Adapter | DOE |



MODULE FILTER HOUSINGS

Outline Dimension

| Module Diameter | Module Number | Inlet / Outlet | | Dimension Reference (mm) | | | |
|-----------------|---------------|----------------|---------------|--------------------------|-----|-----|------|
| | | N(Φ) | Form | d(Φ) | B | H1 | H |
| 12" | 1 | 38 | Ferrule/Union | 325 | 600 | 270 | 860 |
| | 2 | 38 | Ferrule/Union | 325 | 600 | 270 | 1160 |
| | 3 | 38 | Ferrule/Union | 325 | 600 | 270 | 1460 |
| | 4 | 38 | Ferrule/Union | 325 | 600 | 270 | 1760 |
| 16" | 1 | 52 | Ferrule/Union | 450 | 640 | 270 | 900 |
| | 2 | 52 | Ferrule/Union | 450 | 640 | 270 | 1200 |
| | 3 | 52 | Ferrule/Union | 450 | 640 | 270 | 1500 |
| | 4 | 52 | Ferrule/Union | 450 | 640 | 270 | 1800 |

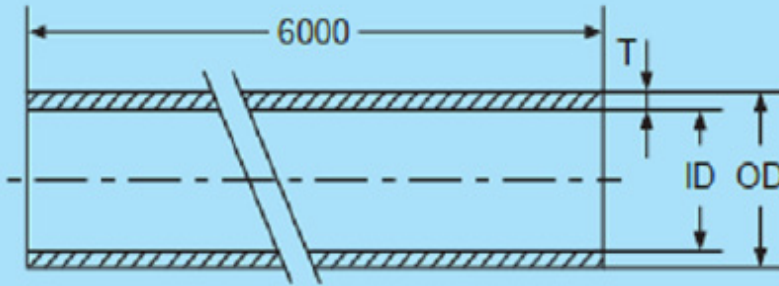
Order Example: CHRM2S12KDN38EJ

CHR---Cartridge Filter Housing M---Module filter housings, 2—2 modules, S—304 stainless steel, 12---module diameter 12", K--- -- Inlet and outlet is ferrule, DN38----Outside diameter 38, E--- Material of o-ring is EPDM, J-----
Mirror polishing

APPENDIX - FILTER HOUSINGS CODE TABLES

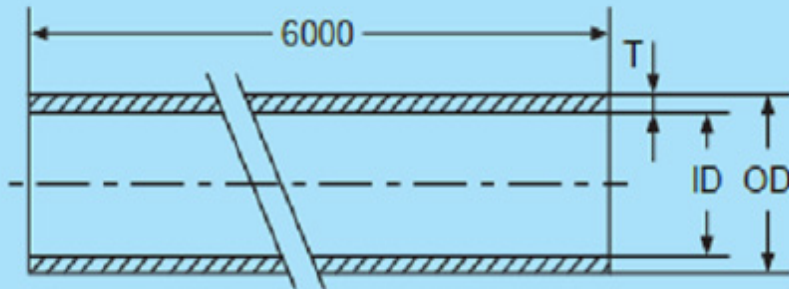
| | | | | | | |
|---------------------------------|---|--------------------|--------------------------------------|---------------------------|--|-----------------------------------|
| 0: Product Family | CHR | | | | | |
| | Cartridge Filter Housing | | | | | |
| 1: Housing Sorts | L | G | RT | VG | M | |
| | Liquid Filter | Air/Gas Filter | T Pipe Filter | Venting Filter | Module Filter | |
| 2: No of Cartridge / Module | 1 - 100 | | | | | |
| 3: Housing Materials | S | | | L | | |
| | 304 Stainless Steel | | | 316L Stainless Steel | | |
| 4: Length of Cartridge | 5 | 10 | 20 | 30 | | |
| | 5 inch | 10 inch | 20 inch | 30 inch | | |
| 5 Inlet and Outlet | F | K | R | H | RC | FNPT |
| | Flange | Ferrule | Union | Welded | Taper Internal Thread | American Standard Internal Thread |
| 6: Standard Criteria | DN | | ISO | | SMS | |
| | DN | | ISO | | SMS | |
| 7: Size of Inlet and Outlet | DIN pipe nominal size, others pipe outer diameter, Thread ½~2 means ½ ~2 inch | | | | | |
| 8: Position of Inlet and Outlet | CD | DC | DD | DS | SD | |
| | Side in Bottom out | Bottom in Side out | Bottom in Bottom out | Bottom in Top out | Top in Bottom out | |
| 9: Cylinder Connect | B | K | N | E | | |
| | Claw | Ferrule | Normal Bolt | Eyebolt | | |
| 10: Construction of Cylinder | 1R | | 2R | | 1W | |
| | 1 Flange, Cartridge Plate Removable | | 2 Flanges, Cartridge Plate Removable | | 2 Flanges, Cartridge Plate Non Removable | |
| 11: Material of Sales | M | V | E | N | | |
| | Silicone | Viton | EPDM | Nitrile | | |
| 12: Treatments of Surface | J | | | P | | |
| | Mirrow Polishing | | | Glass beaded electrolysis | | |
| 13: Lift Device (option) | T | | | Blank | | |
| | With Lift Device | | | Without Lift Device | | |
| 14: Adapter (option) | Blank | | 2 | | 3 | |
| | 226 | | Double Open | | 222 | |

DIN 11850 No.1 Serie Pipe Type:DH01



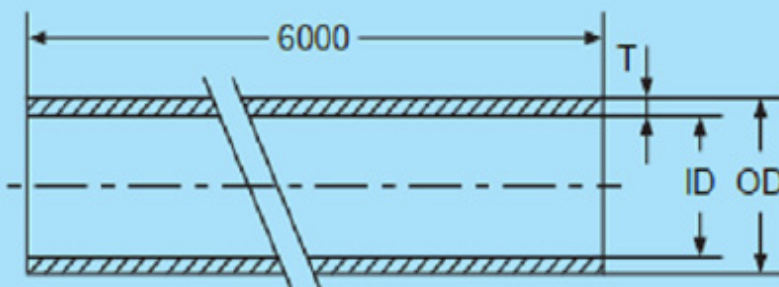
| Size | OD (mm) | ID (mm) | T (mm) |
|-------|---------|---------|--------|
| DN10 | 12,00 | 9,00 | 1,50 |
| DN15 | 19,00 | 16,00 | 1,50 |
| DN20 | 22,00 | 19,00 | 1,50 |
| DN25 | 28,00 | 25,00 | 1,50 |
| DN32 | 34,00 | 31,00 | 1,50 |
| DN40 | 40,00 | 37,00 | 1,50 |
| DN50 | 52,00 | 49,00 | 1,50 |
| DN65 | 70,00 | 66,00 | 2,00 |
| DN80 | 85,00 | 81,00 | 2,00 |
| DN100 | 104,00 | 100,00 | 2,00 |
| DN125 | 129,00 | 125,00 | 2,00 |
| DN150 | 154,00 | 150,00 | 2,00 |
| DN200 | 204,00 | 200,00 | 2,00 |
| DN250 | 254,00 | 250,00 | 2,00 |

ISO Sanitary Pipe Type:IH01



| Size | OD (mm) | ID (mm) | T (mm) |
|-------|---------|---------|--------|
| 3/4" | 19,05 | 16,05 | 1,50 |
| 1" | 25,40 | 22,40 | 1,50 |
| 1.25" | 31,80 | 28,80 | 1,50 |
| 1.5" | 38,10 | 35,10 | 1,50 |
| 2" | 50,80 | 47,80 | 1,50 |
| 2.5" | 63,50 | 59,50 | 2,00 |
| 3" | 76,10 | 72,10 | 2,00 |
| 3.5" | 88,90 | 84,90 | 2,00 |
| 4" | 101,60 | 97,60 | 2,00 |
| 4.5" | 114,30 | 110,30 | 2,00 |
| 5" | 127,00 | 123,00 | 2,00 |
| 6" | 152,40 | 146,40 | 3,00 |

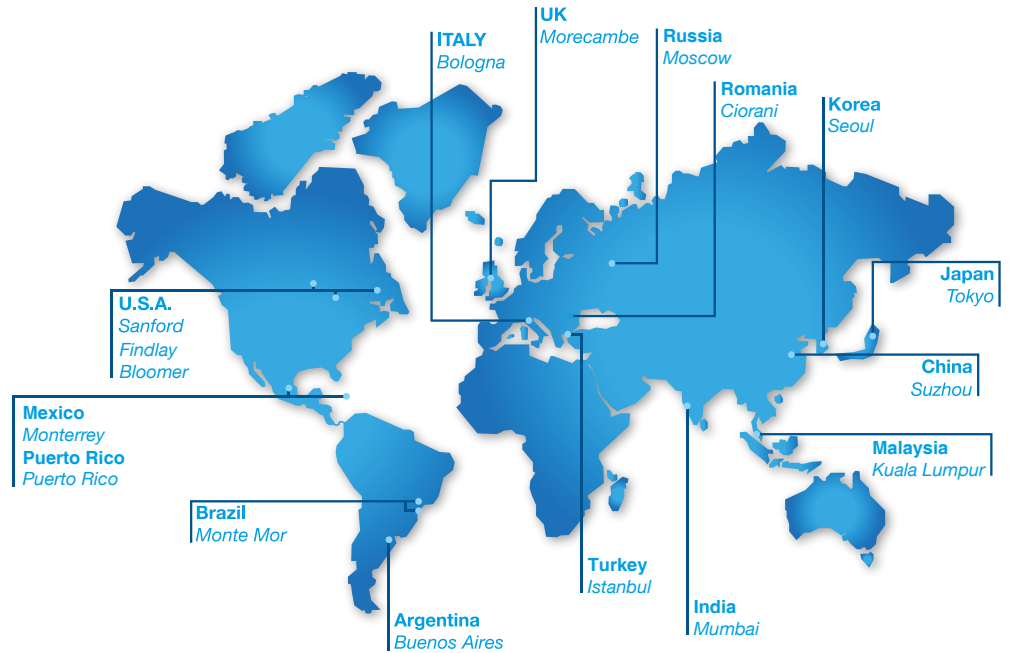
SMS Type:SH01



| Size | OD (mm) | ID (mm) | T (mm) |
|-------|---------|---------|--------|
| 3/4" | 19,00 | 16,60 | 1,20 |
| 1" | 25,00 | 22,60 | 1,20 |
| 1.25" | 32,00 | 29,60 | 1,20 |
| 1.5" | 38,00 | 35,60 | 1,20 |
| 2" | 51,00 | 48,60 | 1,20 |
| 2.5" | 63,50 | 60,30 | 1,60 |
| 3" | 76,10 | 72,90 | 1,60 |
| 4" | 101,60 | 97,60 | 2,00 |

GVS





WORLDWIDE

EUROPE

Italy Office
Headquarters
GVS S.p.A.
Via Roma 50
40069 Zola Predosa (BO) - Italy
Tel. +39 051 6176311
gvs@gvs.com

Russia
GVS Russia LLC.
Profsoyuznaya Street, 25-A, office 102
117418, Moscow
Russian Federation (Russia)
Tel. +7 495 0045077
gvsrussia@gvs.com

United Kingdom
GVS Filter Technology UK
Vickers Industrial Estate
Mellishaw Lane, Morecambe
Lancashire LA3 3EN
Tel. +44 (0) 1524 847600
gvsuk@gvs.com

Romania
GVS Microfiltrazione srl
Sat Ciorani de Sus 1E - Comuna Ciorani
Prahova România
Tel. (+40) 244 463044
gvsro@gvs.com

Turkey
GVS Türkiye
Nidakule Merdivenköy Mahallesi
Bora Sokak No:1 Kat:7 - 34732 Istanbul
Tel. +90 216 504 47 67
gvsurkey@gvs.com

ASIA

China
GVS Technology (Suzhou) Co., Ltd.
Fengqiao Civil-Run Sci-Tech Park,
602 Changjiang Road,S.N.D.
Suzhou, China 215129
Tel. +86 512 6661 9880
gvschina@gvs.com

GVS YIBO Medical Devices Co. Ltd.
17, Zhongshan East - Yuyao city,
315403 Zhejiang Province, China
Tel. +86 574 6257 5697

Japan
GVS Japan K.K.
KKD Building 4F, 7-10-12 Nishishinjuku
Shinjuku-ku, Tokyo 160-0023 Japan
Tel. +81 3 5937 1447
gvsjapan@gvs.com

Korea
GVS Korea Ltd
#315 Bricks Tower
368 Gyungchun-ro(Gaun-dong),
Namyangju-si, Gyunggi-do,
Tel: +82 31 563 9873
gvsukorea@gvs.com

India
GVS Filter India Pvt Ltd
Unit No 35 & 36 on First Floor
Ratna Jyot Industrial Premises Irla Lane,
Irla Vile Parle, Mumbai 400056, India

Malaysia
GVS Filtration Sdn.Bhd
Lot No 10F-2B, 10th Floor, Tower 5 @ PFCC
Jalan Puteri 1/2, Bandar Puteri
47100 Puchong, Selangor, Malaysia

AMERICA

U.S.A.
GVS North America
63 Community Drive
Sanford, ME 04073 - USA
Tel. +1 866 7361250
gvsusa@gvs.com

GVS Filtration Inc.
2150 Industrial Drive
Findlay, OH. 45840 - USA
Tel. +1.419.423.9040
gvsfiltration@gvs.com

2200 W 20th Avenue
Bloomer, WI 54724 - USA
Tel. +1.715.568.5944
gvsfiltration@gvs.com

Puerto Rico
GVS Puerto Rico, LLC
98 Carr 194 - Fajardo,
Puerto Rico, 00738-2988, USA
Tel. +1.787.355.4100
gvspuertorico@gvs.com

México
GVS Filter Technology de Mexico
Universal No. 550, Vynmsa Aeropuerto Apodaca
Industrial Park, Ciudad Apodaca, Nuevo León,
C.P. 66626 - México
Tel. +52 81 2282 9003
gvmex@gvs.com

Argentina
GVS Argentina S.A.
Francisco Acuña de Figueroa 719 Piso:11 Of: 57
1416 Buenos Aires - Argentina
Tel. +54 11 48614750
gvsarg@gvs.com

Brazil
GVS do Brasil Ltda.
Rodovia Conego Cyriaco Scaranello Pires 251
Jardim Chapadão, CEP 13193-580
Monte Mor (SP) - Brasil
Tel. +55 19 38797200
gvs@gvs.com.br

PRODUCT COLLECTION - Capsflow Catalog

Copyright © 2021 GVS © S.p.A.
All Right Reserved - Printed in Italy
Printing History: Version 01122021